



Edition : 1.0
Date: (1/25)

Instruction Manual

PLASTIC SERVICE CART PSC-3T

Order Code: (T748)

PLASTIC SERVICE CART



BEFORE ASSEMBLING

Please read this instruction manual before assembly.



CAUTION

Before assembly please pay attention to the following points in priority;

Confirmation of components: Before assembling, please confirm all parts arrived and are in good order.

Site for assembly: Please assemble it on the soft floor such as smooth carpet and flannel blanket. When you assemble on wooden floor, please put thin towels on the floor.

Points for attention when assembling: Please wear gloves to ensure that it can be assembled safely, and use two persons to help in the assembly process.

SAFETY INFORMATION

1. Do not pull this service cart, push it when moving.
2. Must be used on a flat level ground as this Service Cart does not come with brake wheels.
3. Do not tow this service cart with power equipment.
4. Do not overload this service cart over its load rating.



CAUTION: Do not attach or mount this product to a vehicle. This may cause personal injury or product damage. Mounting this product to any vehicle in any manner will void warranty.



CAUTION: Keep the product on level surfaces. The product may become unstable and tip if stored or moved on an un-level surface, which may cause personal injury or product damage.



CAUTION: Do not stand on this product. You may fall which may cause personal injury or product damage.



CAUTION: Before moving this product, make sure any objects in the shelf compartments are stable enough and will not roll over and fall out.



SPECIFICATIONS

Overall size 1010 x 435 x 840mm (LxWxH)

3 Trays 790 x 440 x 70mm (LxWxH)

Wheels:..... Ø127mm (2 swivel & 2 fixed wheels)

Total load rating:..... 250kg (approx 83kg per tray)

Nett Weight:..... 22kg



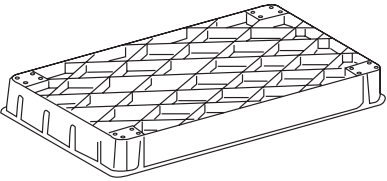
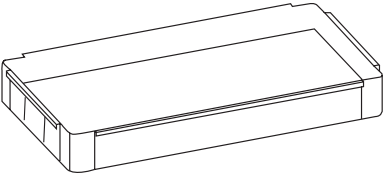
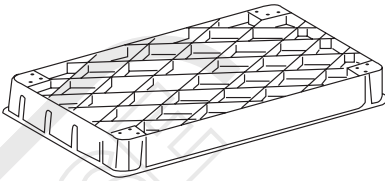


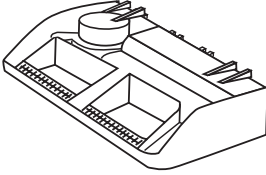
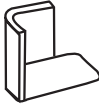
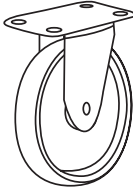
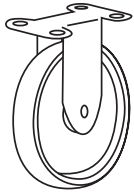




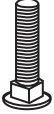
PLASTIC SERVICE CART



PARTS LIST

Carefully unpack and spread out all parts in a large uncluttered area.

Familiarize yourself with all parts and compare them with the drawing below to make sure none are missing. Read all assembly instructions before beginning.

 <p>A Bottom Tray (1pc)</p>	 <p>B Middle Tray (1pc)</p>	 <p>C Top Tray (1pc)</p>
 <p>D Left Hand Posts (2pc)</p>	 <p>E Right Hand Posts (2pc)</p>	 <p>F Handle (1pc)</p>
 <p>G LH Post Caps (4pc)</p>	 <p>I Swivel Wheels (2pc)</p>	 <p>J Fixed Wheels (2pc)</p>
 <p>H RH Post Caps (4pc)</p>		
 <p>Includes Spanner</p>	 <p>K M8 Nuts (16pc)</p>	 <p>M Screws (12pc)</p>
	 <p>L M8 Bolts (16pc)</p>	

ASSEMBLY INSTRUCTIONS

TOOLS & ASSISTANCE NEEDED

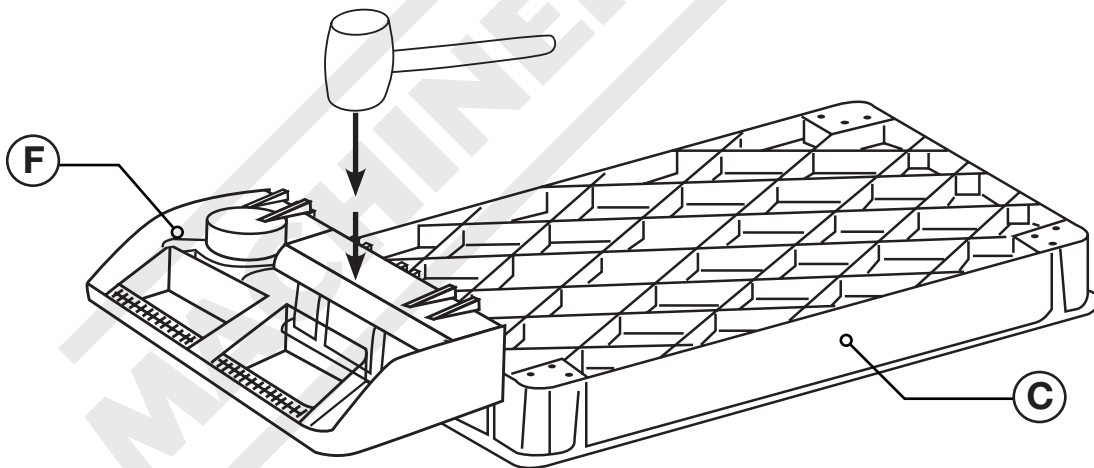


Spanner, Mallet and
Philips Head Screwdriver

*Tools not included

STEP 1

Place Top Tray (C) upside down on the work surface. Locate the Handle (F), turn it upside down and use a rubber mallet to tap the Handle (F) down flush into the grooves of the Top Tray (C) as shown below.



PLASTIC SERVICE CART



ASSEMBLY INSTRUCTIONS

TOOLS & ASSISTANCE NEEDED

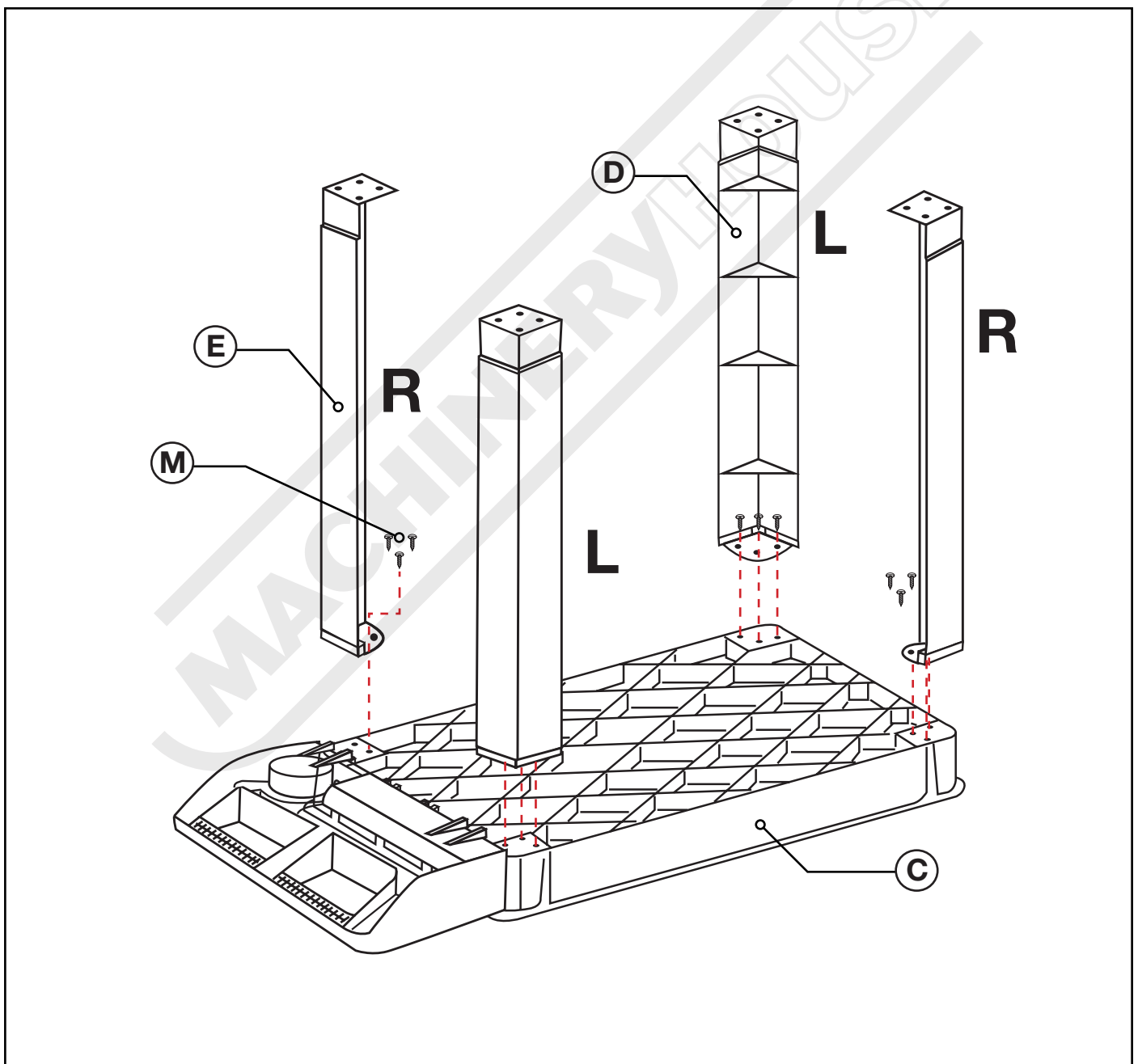


Spanner, Mallet and
Philips Head Screwdriver

*Tools not included

STEP 2

Attached the LH and RH Posts (D, E) to the outside corners of the Top Tray (C) using 3 x Screws (M) per post as shown below.



PLASTIC SERVICE CART



ASSEMBLY INSTRUCTIONS

TOOLS & ASSISTANCE NEEDED

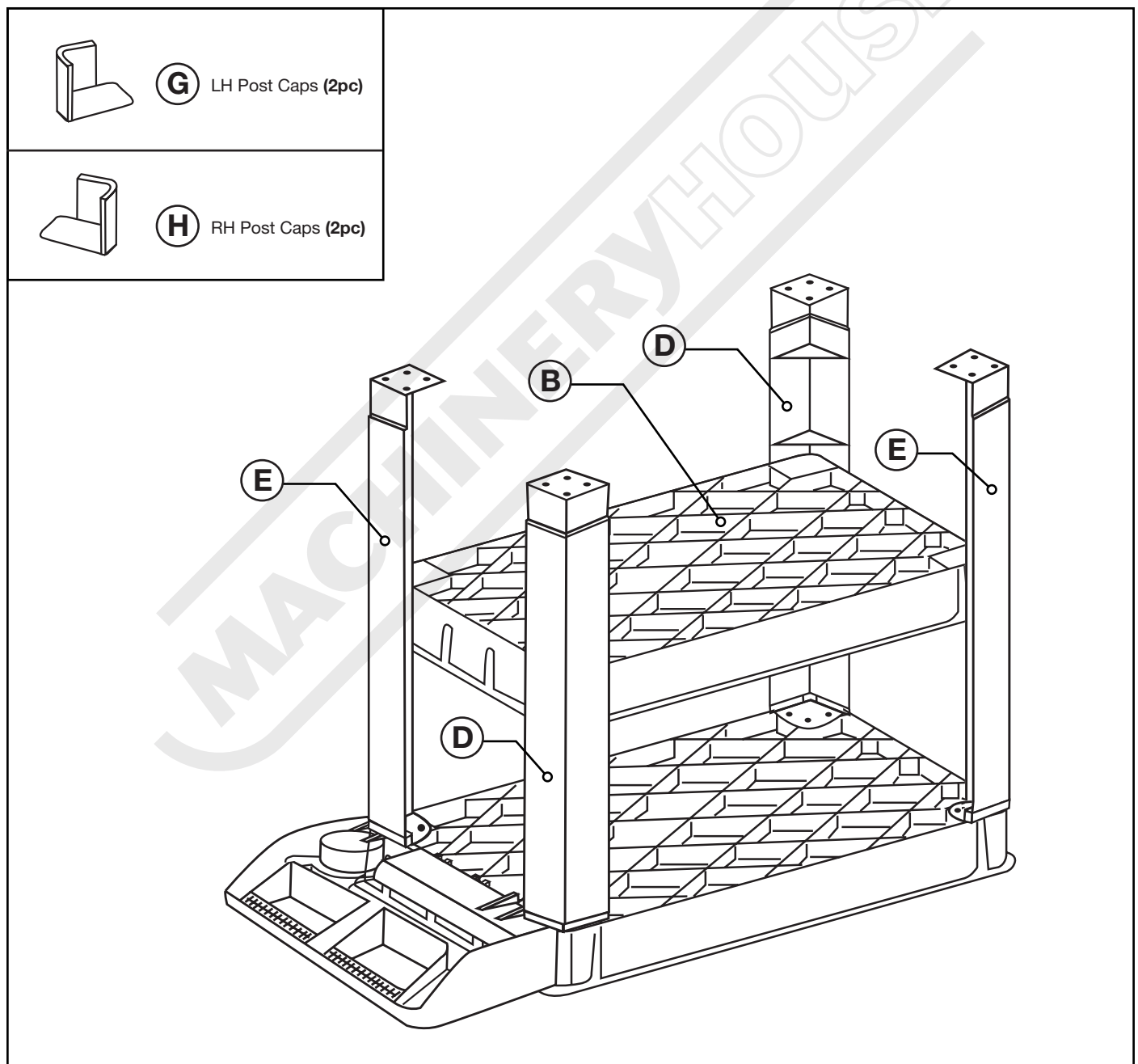


Spanner, Mallet and
Philips Head Screwdriver

*Tools not included

STEP 3

Firstly insert the LH & RH Post Caps (G & H) into the Middle Tray (B) Corners and tap down flush with a mallet. Then Install the middle tray (B) into the Left & Right Posts (D & E) as shown below.



PLASTIC SERVICE CART



ASSEMBLY INSTRUCTIONS

TOOLS & ASSISTANCE NEEDED

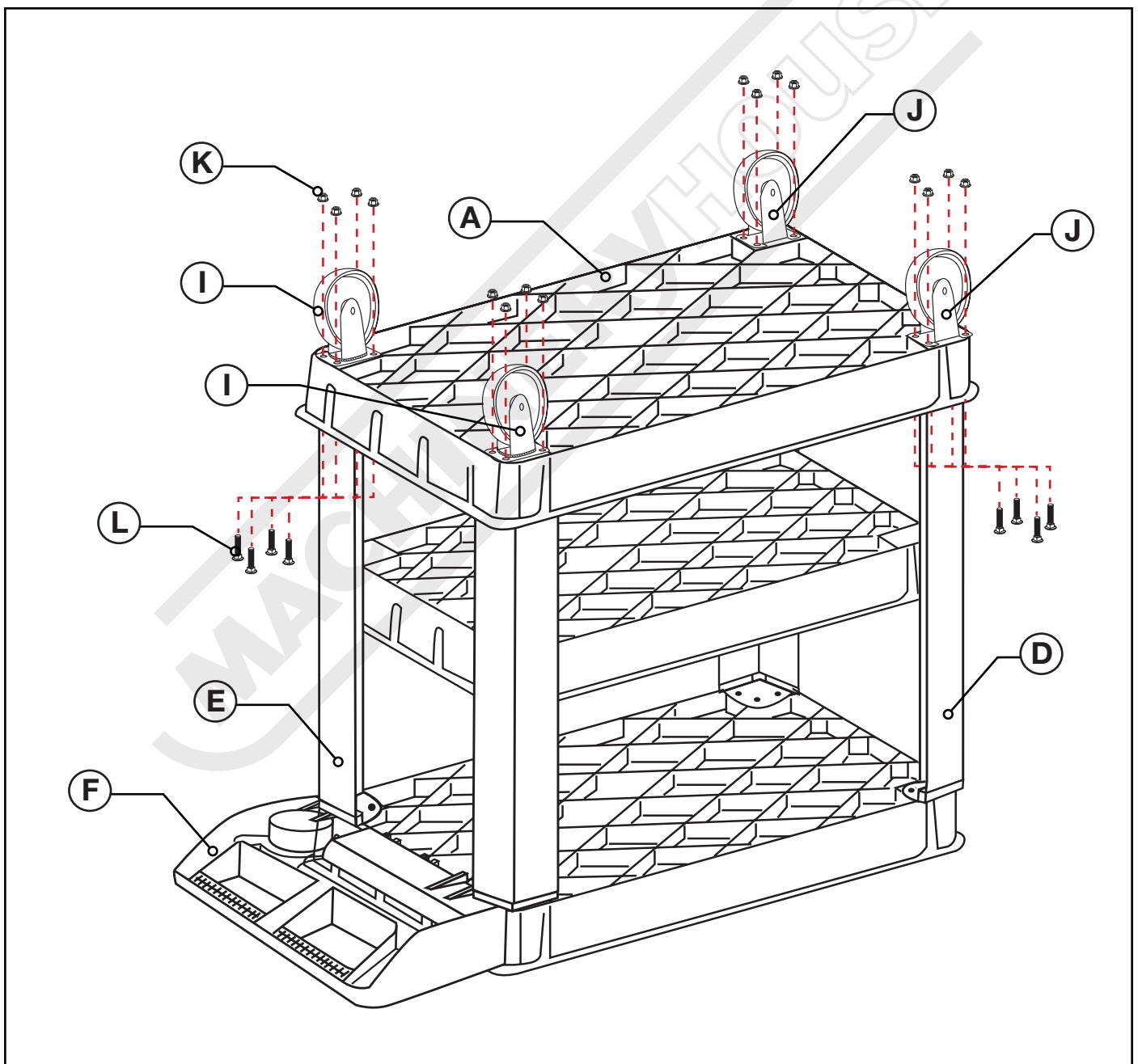


Spanner, Mallet and
Philips Head Screwdriver

*Tools not included

STEP 4

Place the Bottom Tray (A) over the Left & Right Posts (D, E). Tap the Bottom Tray (A) down flat with a mallet. Then mount 2 x Swivel Wheels (I) to the Handle (F) side and 2 x Fixed Wheels (J) to the other side using 4 x M8 Nuts (K) and 4 x M8 Bolts (L) per Wheel as shown below.



PLASTIC SERVICE CART



ASSEMBLY INSTRUCTIONS

TOOLS & ASSISTANCE NEEDED

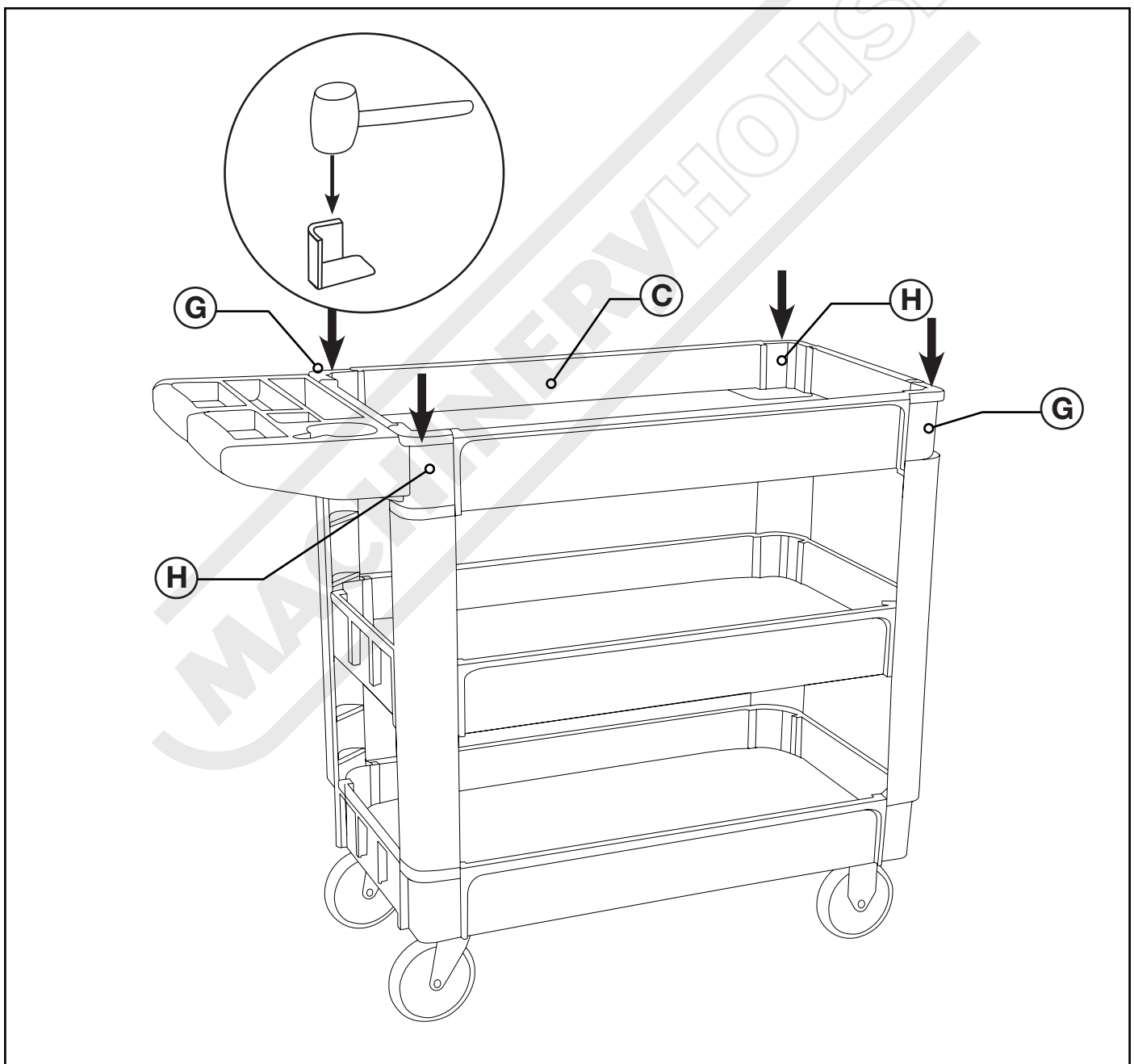


Spanner, Mallet and
Philips Head Screwdriver

*Tools not included

STEP 5

Flip the Plastic Service Cart over upright on its Wheels. Insert 2 x LH Post Caps (G) and 2 x RH Post Caps (H) into their corresponding corners of the Top Tray (C). Use a mallet tap the Caps down flush as shown below. The Plastic Service Cart is now ready for use.





ENVIRONMENT PROTECTION

Recycle unwanted materials instead of disposing of them as waste. All tools, accessories and packaging should be sorted, taken to a recycling centre and disposed of in a manner which is compatible with the environment. When the product becomes completely unserviceable and requires disposal, drain any fluids (if applicable) into approved containers and dispose of the product and fluids according to local regulations.

Imported by

HARE & FORBES
MACHINERYHOUSE

Australian Distributor

Hare & Forbes
Machineryhouse
Sydney - Melbourne
Adelaide - Brisbane - Perth

Ph: 1300 202 200
www.machineryhouse.com.au

MACHINERYHOUSE

New Zealand Distributor

Machineryhouse
Auckland
Christchurch

Ph: 0800 142 326
www.machineryhouse.co.nz